

Model: PoE-EX01

Power-Over-Ethernet Extender



Description

PoE extender - a quality product for PoE network point-to-point up to 1500ft.

Works with PoE standards IEEE802.3af and IEEE802.3at.

- a quality product for PoE network point-to-point up to 1500ft.

This device serves as a data switch port that is powered by PoE, and transmits it further on another 300ft together with the data.

Depending on the amount of power consumption may use up to 4 extensions in the same chain.

Thereby increasing transmission distance up to 1500ft (1 class 82.3af, see table. "Maximum distance")

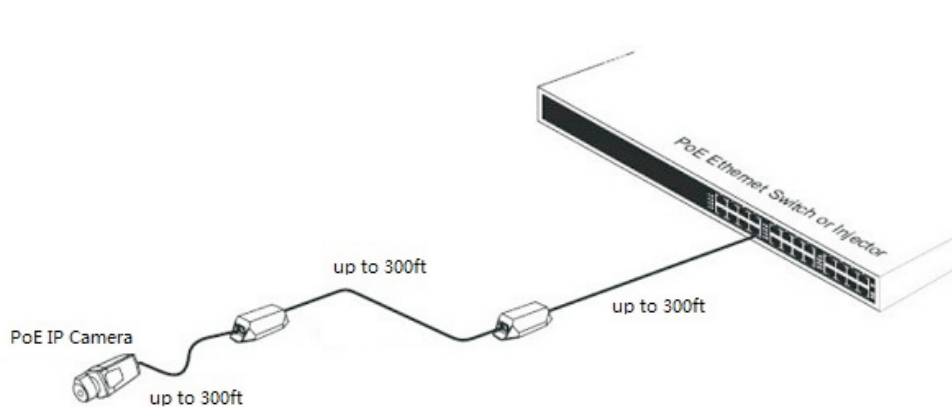
Advantages

- > Industrial Grade -40 to 45°C
- > Mini-size, wall mounting
- > Requires no external power supply
- > Lower power consumption, only 1.2W
- > Auto-sensing PoE devices
- > Compatibility with 802.3at and 802.3af

Maximum length

PoE Device (PD)	PoE Injector or Switch IEEE802.3af (max 15.4W)	PoE Plus Injector or Switch IEEE802.3at (max 30W)
IEEE802.3af class 1 no more than 4W	1200ft (3pcs PoE Extender)	1500ft (4pcs PoE Extender)
IEEE802.3af class 2 no more than 6W	900ft (2pcs PoE Extender)	1200ft (3pcs PoE Extender)
IEEE802.3af class 0&3 no more than 12W	600ft (1pcs PoE Extender)	900ft (2pcs PoE Extender)
IEEE802.3at no more than 22W	Not applicable	600ft (1pcs PoE Extender)

Typical connection diagram



Technical characteristics

Item	Description
No. of channels	1
Pass Through Data Rates	10/100 Mbps half / full duplex
PoE input	Pin Assignment and Polarity: Both 1/2 (-), 3/6(+) and 7/8(-), 4/5(+)
PoE output	Pin Assignment and Polarity: 1/2 (-), 3/6(+) Output Power: up to 22W
Indicators	Power indicator: PoE enabled Network indicator: Link/Act
Connectors	Shielded RJ45, EIA 568A and 568B
Network cables	Shielded category 5 (or higher)
Case material	ABS plastic
Dimensions	145mm x 60mm x 40mm
Weight	0.090g
Mounting	Wall of shelf
Environment	Indoor
Environmental Conditions	Operating Ambient Temperature: -40 to 45°C@90%, Non-condensing
	Storage Temperature: -40 to 70°C@95%, Non-condensing
Regulatory Compliance	IEEE 802.3af (PoE), IEEE 802.3at (PoE+) RoHS Compliant, CE, FCC
Electromagnetic	FCC Part 15, Class B

Maximum Distances for Power Sources

Multiple PoE Extenders can be connected every 300ft to obtain greater distances. The actual figures depend on operating conditions. The range is over 24 AWG or heavier Cat-5e or Cat-6 cable except where specified.

Examples for medium power PoE Devices (that are PoE Class 2, or require under 6 watts)

PoE Source			
PoE switch (802.3af,Output voltages 50V)	15W mid-span (802.3af,Output voltages 50V)	PoE+ switch (802.3at,Output voltages 50V)	30W mid-span (802.3at,Output voltages 50V)
Maximum Distances			
900ft	900ft	1200ft	1200ft

Examples for full power PoE Devices (that are PoE Class 0 or 3, or require under 12 watts)

PoE Source			
PoE switch (802.3af,Output voltages 50V)	15W mid-span (802.3af,Output voltages 50V)	PoE+ switch (802.3at,Output voltages 50V)	30W mid-span (802.3at,Output voltages 50V)
Maximum Distances			
600ft	600ft	900ft	900ft

Examples for PoE+ Devices (that are PoE Class 4 that under 22 watts, or 802.3at compliant)

PoE Source			
PoE switch (802.3af,Output voltages 50V)	15W mid-span (802.3af,Output voltages 50V)	PoE+ switch (802.3at,Output voltages 50V)	30W mid-span (802.3at,Output voltages 50V)
Maximum Distances			
Not applicable	Not applicable	600ft	600ft